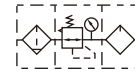


Preparation unit—A, B Series

AC, BC Series F.R.L. Combination

Symbol



Product feature

1. The structure is delicate and compact, which is convenient for installation and application.
2. The pressed-in self-locking mechanism can prevent the abnormal movement of the set pressure caused by external interfere.
3. The pressure loss is low and the efficiency of water separating is high.
4. The quantity of oil dripping can be directly observed through transparent check-dome.
5. In addition to standard type, lower pressure type is optional (The highest adjustable pressure is 0.4MPa).

Specification

Model	Ac1500	AC2000	BC2000	BC3000	BC4000	
Fluid	Air					
Port size [Note1]	1/8"	1/4"	1/4"	3/8"	1/2"	
Filtering grade	40 μm or 5 μm					
Pressure range	Semi-auto and automatic drain: 0.15~0.9MPa(20~130Psi) Manual drain: 0.05~0.9MPa(7~130Psi)					
Max. pressure	1.0MPa(145Psi)					
Proof pressure	1.5MPa(215Psi)					
Temperature range	-5~70°C(unfreeze)					
Capacity of drain bowl	15CC		60CC			
Capacity of oil bowl	25CC		90CC			
Recommended lubricant	ISO VG 32 or equivalent					
Weight	700g		900g			
Constitute	Filter	AF1500	AF2000	BF2000	BF3000	BF4000
	Regulator	AR1500	AR2000	BR2000	BR3000	BR4000
	Lubricator	AL1500	AL2000	BL2000	BL3000	BL4000

[Note1] PT thread, G thread and NPT thread are available.

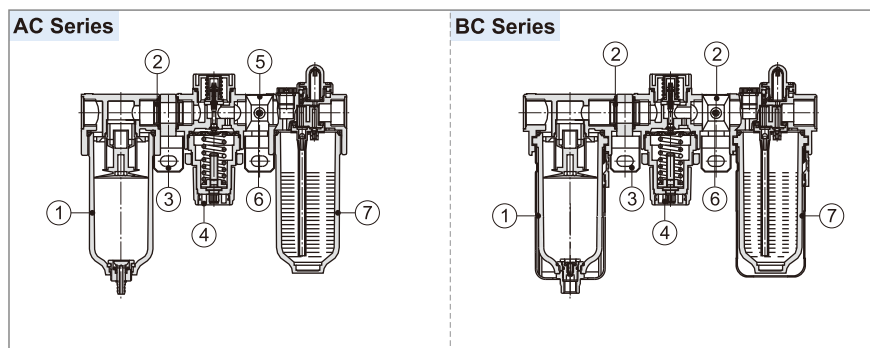
Ordering code

AC 2000 M 1 W



① Model	② Port size	③ Drain type	④ Type code	⑤ Pressure gauge	⑥ Scale	⑦ Filtering grade	⑧ Thread type
AC: A Series F.R.L unit	1500: 1/8" 2000: 1/4"	Blank: Semi-auto drain M: Manual drain	Blank: Standard (0.9MPa)	Blank: Pressure gauge	1: MPa 2: psi	Blank: 40 μm W: 5 μm	Blank: PT (Scale: MPa or kgf/cm ² & psi) G: G(Scale:bar) T: NPT(Scale:psi)
BC: B Series F.R.L unit	2000: 1/4" 3000: 3/8" 4000: 1/2"	Blank: Semi-auto drain M: Manual drain A: Automatic drain	L: Lower pressure (0.4MPa)	N: No pressure gauge	3: bar 4: kgf/cm ² & psi		

Inner structure



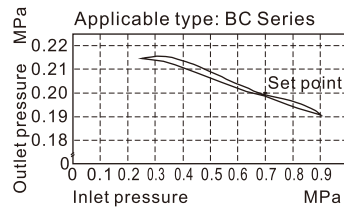
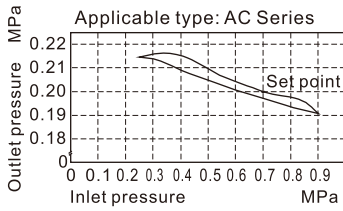
No.	Item	No.	Item
1	AF, BF Series filter	5	A, B Series fix kit
2	A, B Series gasket	6	Screw
3	A, B Series bracket	7	AL, BL Series lubricator
4	AR, BR Series regulator		

Preparation unit—A, B Series

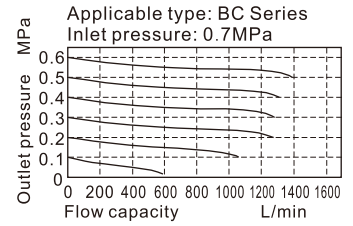
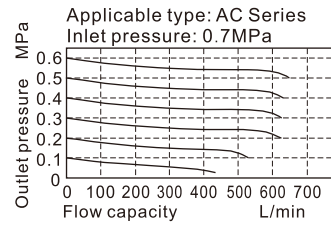
AC、BC Series F.R.L. Combination

Pressure and feature of flow

Pressure chart



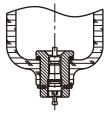
Flow chart



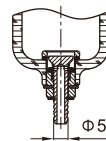
Selection of drain mode

AC Series

Manual drain



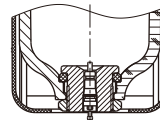
Semi-auto drain



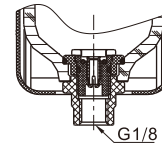
This semi-auto drain can also achieve the function of manual drain.
PU tube with an inner diameter of $\Phi 4$ mm is recommended

BC Series

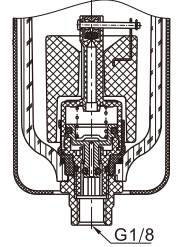
Manual drain



Semi-auto drain

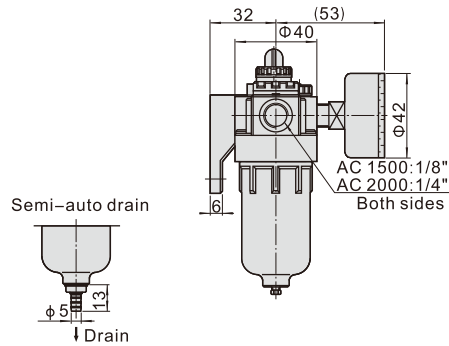
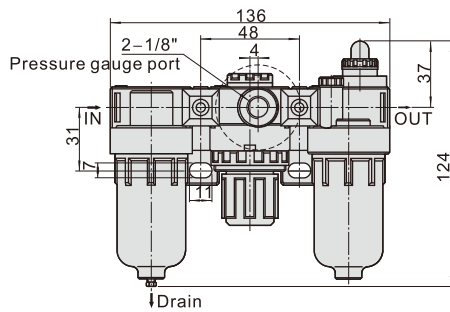


Automatic drain



Dimensions

AC Series



BC Series

